



**Elegant Trio 19inch Free Standing Rack Cabinet
H:20U-42U W:600 x D:800**

- Removable and lockable side panels
- Optional fan-unit into the roof or 19inch rack mount type fan unit
- Vertical mounting rails are adjustable throughout the entire depth of the cabinet
With 1.5mm thickness silk-screen mounting rails.
- Load carrying capacity 600kg
- Tempered safety glass front door, t:4mm
- Sheet steel rear panel
- *Perforated front and rear doors are available upon the request*

List Code : ELGT XXU 6080 CC 111

Technical Data

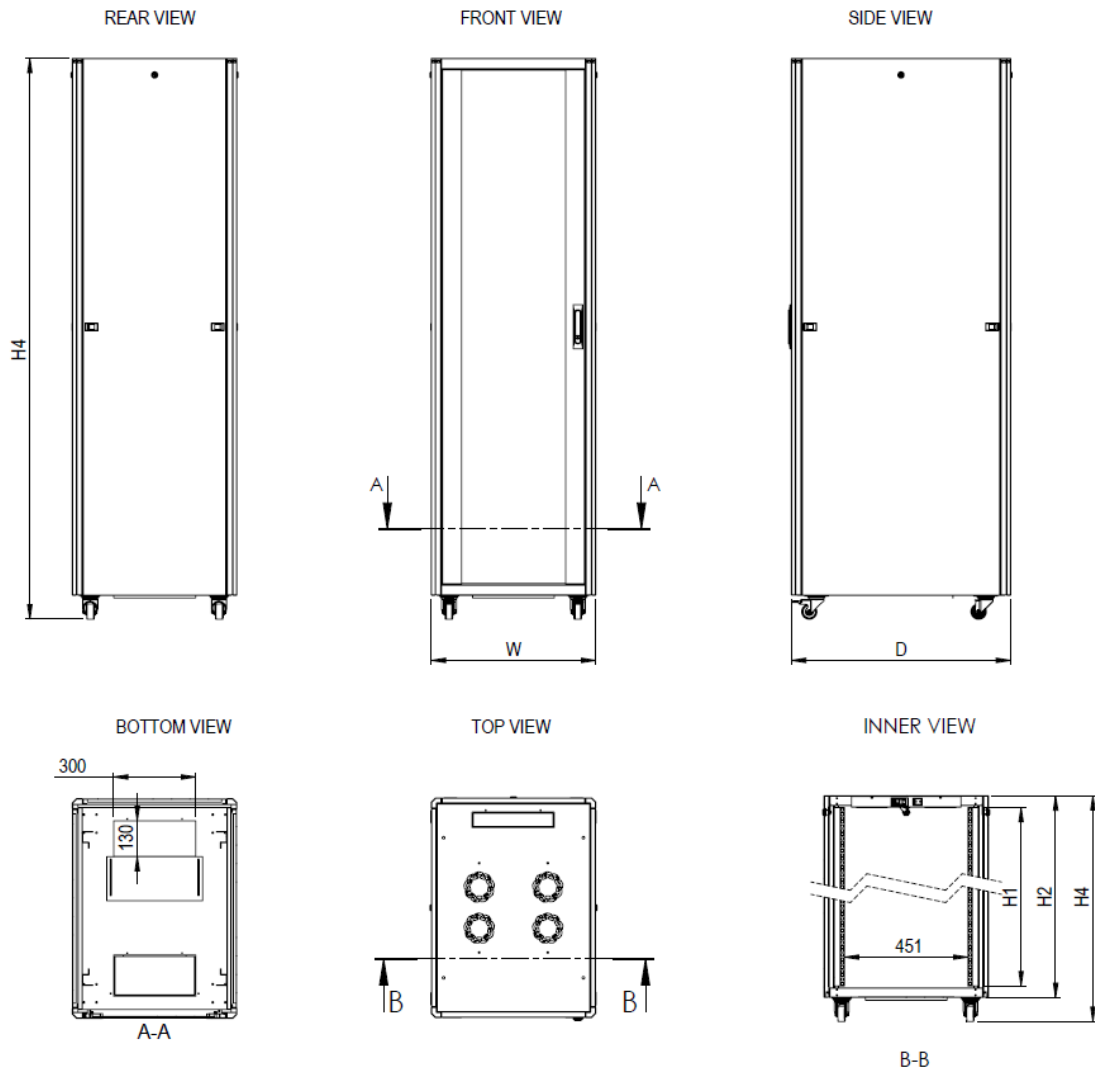
Dimensions HxWxD in mm	H: (Check 2nd page) W:600mm D:800mm
Height in U	20U-26U-32U-36U-42U
Color	<i>RAL 9005 Black color = ELGT XXU 6080 BL 111 or RAL 7035 L.gray color = ELGT XXU 6080 LG 111</i>
Grounding continuity Standards	In accordance with the standard EN 61587-1: 2012 / EN 61010-1 / IEC 60917- IEC 60297 ISO9001-2015 TS EN 61587-1 :2012, 5.2.1 and 5.2.2 CE According the IEC/ISO 17050 – EN 62208:2011 & EN 60335-1

Mechanical Characteristics

Material	Sheet Steel, TS EN 10130 :2006
Inside height in mm	1870,10
Outside height in mm	(Check 2nd page for different height options)
Load Carrying Capacity	600kg / 1322lbs
IP rating	IP20

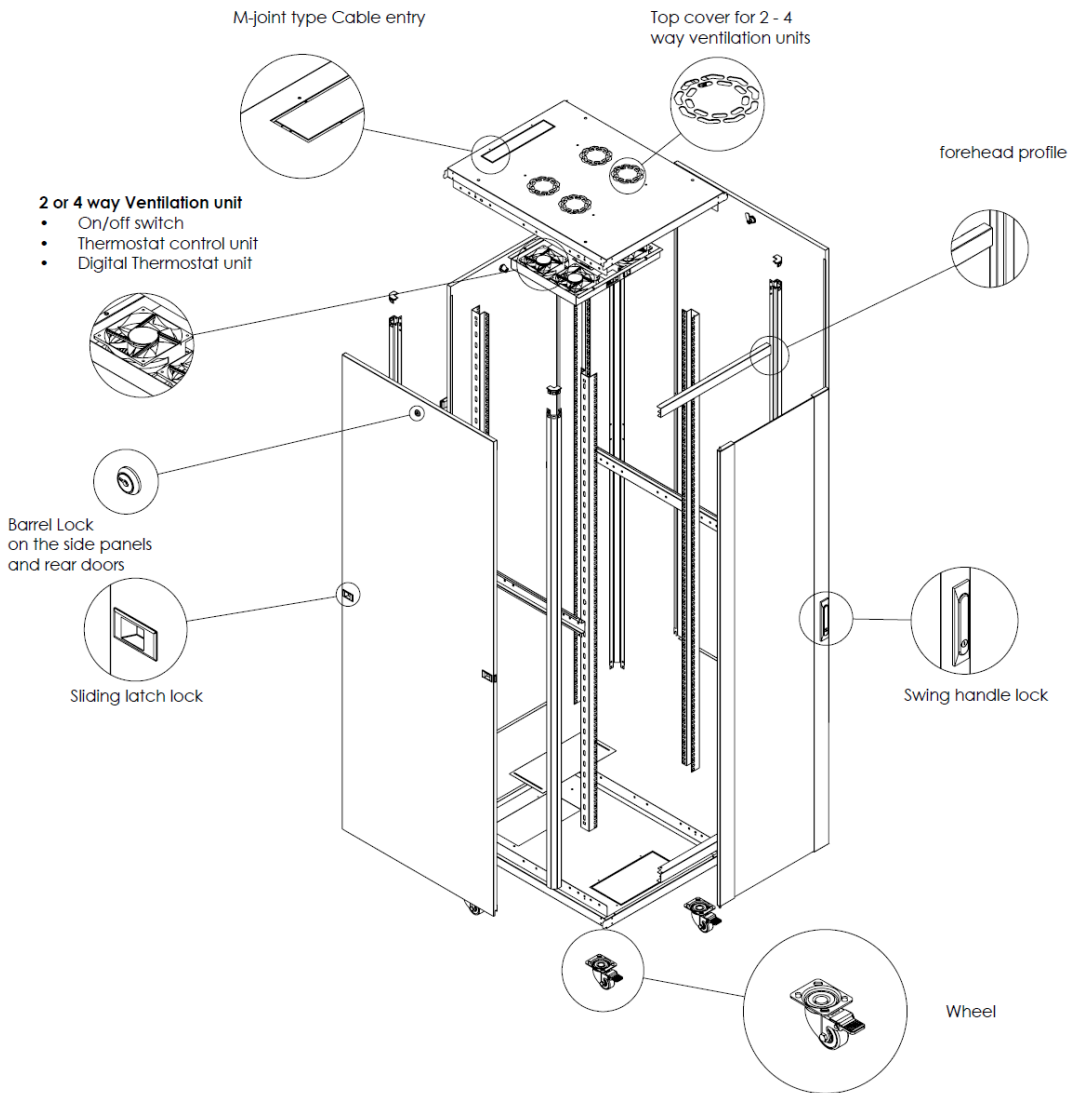
We are responding the needs of users with choice of 5 different height dimensions.

Height : 20U-26U-32U-36U-42U
Width : 600mm
Depth : 800mm



Product code	Product description	Out width (W)	Out depth(D)	H:1 inner Height	H:2 Out Height without feet & wheel set	H:3 Out height with levelling feet	H:4 Out height with wheel set
ELGT 20U 6080 BL 111	Elegant Trio 19" 20U W=600 mm D=800 mm	600	800	892,2	977,1	1007,1	1057,1
ELGT 26U 6080 BL 111	Elegant Trio 19" 26U W=600 mm D=800 mm	600	800	1158,9	1243,8	1273,8	1323,8
ELGT 32U 6080 BL 111	Elegant Trio 19" 32U W=600 mm D=800 mm	600	800	1425,6	1510,5	1540,5	1590,5
ELGT 36U 6080 BL 111	Elegant Trio 19" 36U W=600 mm D=800 mm	600	800	1603,4	1688	1718,3	1768
ELGT 42U 6080 BL 111	Elegant Trio 19" 42U W=600 mm D=800 mm	600	800	1870,1	1955	1985	2035

Explode View

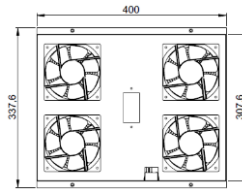


VENTILATION OPTIONS

STANDARDS : EMC EN55032:2015 & LVD IEC 62368-1 :2018

Power Characteristics

Voltage range	220/240
Freq Hz	50/60
Current (A)	0,14A
Power W	22
Speed RPM	2700/3000
Noise level in (dB)	40/47dB
Air flow M3/Hr & CFM	133/162 & 82/95

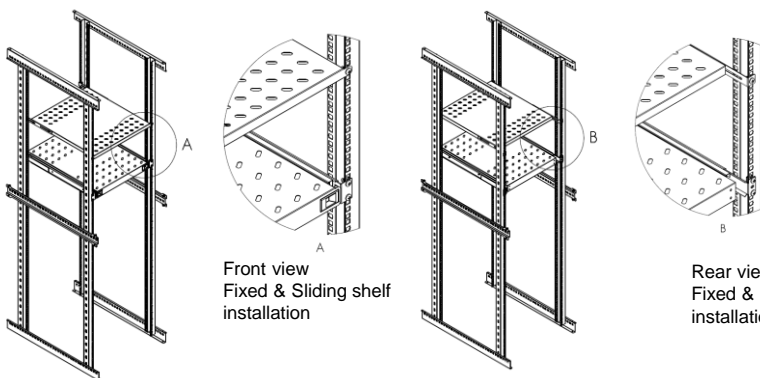


Compatible Fan Units

PA CC ELG FN 02	Ventilation unit with 2 Fans+with On/Off switch control
PA CC ELG FN 04	Ventilation unit with 4 Fans+with On/Off switch control
PA CC ELG FN T2	Ventilation unit with 2 Fans+Analog Thermostat
PA CC ELG FN T4	Ventilation unit with 4 Fans+Analog Thermostat
PA CC ELG FN DT2	Ventilation unit with 2 Fans+Digital Thermostat
PA CC ELG FN DT4	Ventilation unit with 4 Fans+Digital Thermostat

Note: compatible with all 19inch rack mount Fan units

SHALVES



FIXED /SLIDING SHELVES LOAD CARRYING CAPACITIES

- Fixed shelf : 50kg / 110lbs
- Sliding shelf : 25kg / 55 lbs

HEAVY DUTY TYPE FIXED /SLIDING SHELVES LOAD CARRYING CAPACITIES

- HD Fixed shelf : 100kg /220lbs
- HD Sliding shelf: 66kg / 145lbs

Compatible Shelves

PA CC RK SR 80	1/2U Fixed Shelf - 800 mm Depth Cabinets
PA CC RK HR 80	Sliding Shelf - 800 mm Depth Cabinets

Note: compatible with all cantilever shelves

TECHNICAL SPECIFICATIONS

PROTECTION INDEX

- IP20 According to EN 61587-1 / IEC 60529
- IP20 :Rigid test rod diameter of 2.5 mm, 100 mm long (as specified by the standard) is pushed against any openings of the enclosure with the force of 3N

MECHANICAL PERFORMANCE

- EN 61587-1 5.2.1 / 5.2.3
- Stiffness test (Performance level SL6)
- Dynamic mechanical load test (Performance level DL4)
- Resonance point detection test IEC 60068-2-6
- Vibration test (Sinus-IEC 60068-2-6)
- Shock test IEC 60068-2-27)
- Impact test IEC 60068-2-75 (Performance level K2)
- Permissible load carrying capacity : 600kg

CLIMATIC TESTS (Performance level C2)

- Cold (IEC 60068-2-1) Temperature of the exposure: -25°C +/-3°C
- Dry heat (IEC 60068-2-2) Temperature of the exposure: +70°C +/-2°C
- Damp heat cyclic (IEC 60068-2-30)

INDUSTRIAL ATMOSPHERE (Performance level A3)

- Salt mist test (IEC 60068-2-11)
- Sulphur dioxide test and hydrogen sulphide test IEC 60068-2-42, IEC 60068-2-43, IEC 60068-2-49

GROUNDING CONTINUITY

EN 61587-1 / EN 61010-1

- The continuity of the protection circuit is in accordance with the standard regulations. The measured resistance was less than 0.1 Ohm.

STANDARDS

1. **ISO9001-2008** Quality management system must be used in the production of 19" Rack cabinets
2. 19" Rack Cabinets must have a **TSE Certificate EN-61587-1 , IEC60917 – IEC 60297** standards
3. In addition, all of the main and auxiliary materials used in the manufacturing process must comply with the following standards

SHEET METAL: TS EN ISO 9001:2008; TS EN 10130 :2006; DIN EN 1030- EQV; BS EN 1030-EQV; NF A36-401.

ELECTROSTATIC POWDER PAINT: ISO 9001:2015 ASTM D523; ASTM D2794; DIN EN ISO 2811-1; ASTM D1186/D1400; Ral:9005 or Ral:7035.

VENTILATION UNITS (Fan Unit) "EMC EN55032:2015 & LVD IEC 62368-1 :2018

TEMPERED SAFETY GLASS " ISO 9001 , EN 12150 – 2 : Glass, Tempered, secure " Mechanical strength test result: Bending strength minimum 120 N/ mm²

CONNECTION COMPONENTS (screw, nut, washer etc.)" TS EN ISO 7045; TS EN ISO 4032; RoHS IEC 62321 "

WHEEL SET " TS EN 12532 , TS EN 12533 , RoHS IEC 62321:2008"

LOCKS SYSTEMS "DIN-EN ISO 1043-1 PA6 GFR 30; DIN-EN 1774-ZnAl4Cu1.

TECHNICAL SPECIFICATIONS

1. Dimensions must comply with IEC60297 standards. Cabinet must be height (20U,26U,32U,36U,42U)

- Width : 600mm
- Depth : 800mm

2. Main frame and profile structures must be manufactured and tested to provide axial (x, y, z) resistance that meets EN 61587-1 / 5.2.1 and 5.2.2, and external impact resistance that meets EN 61587-1 / 5.3.3. Dynamic load, vibration and mechanical impact (IEC 60068-2-6 , IEC 60068-2-27) test results must be certified by TSE.

3. Corner profiles structure must be a structure that would increase mechanical resistance with aesthetic appearance, folded with an angle of 45 degree and must consist of 6 bending, total 4pcs corner profiles.

4. Bottom case must have cable access that would minimize the dust inlet with a sliding cable entry point with a dimensions 150x300mm & M-joint type cable entry 150x300mm, Multi folded monoblock structure must be provide ability to fix up vertical mounting rails

5. Rear panel must be full length solid metal with its removable structure by the lockable single barrel lock mechanism and sliding latch-locks two pcs.

6. Side panels left/right must be full length solid metal with its removable structure by the lockable single barrel lock mechanism and sliding latch-locks two pcs.

7. Front door glass structure must be tempered,anti-static,secure glass with 4mm thickness according to EN 12150-1:2008 standard. front door must have left and right metal frames structure with high density silicone and screws and nuts , structure that open 135 degrees , removable by spring hinge , lockable with swing handle lock.

8. To provide high resistance to impacts, cabinets must be coated by RAL 9005 or RAL 7035 Electrostatic powder coat to meet ISO 8130 and ASTM D 523 / 2794 standards and test result reports must be certificated. On flat metal surfaces, there must be 85±5 micron paint thickness and must be tested according to ASTM D2794; DIN EN ISO 2811-1; ASTM D1186/D1400 Ral:9005 or Ral:7035.

9. 2pcs inner lateral extension bars must have a structure that would increase resistance and strength of cabinet between front and rear corner profiles

10. Roof panel must be compatible with 2 & 4 way cooling unit installation, + 1 pcs M-joint type cable entry with dimensions 300x56mm

11. Vertical mounting rails are adjustable throughout the entire depth of the cabinet and thickness must be 1.5mm, Silk-screened mounting rails must be provide ability to count U- Marking from top to down & down to up for easy device installation

12. Cabinet locks all locks used in cabinets must have the same coded-key and all covers of cabinets must have a lockable structure

13. Fan units must be with the standards ISO 9001 :2015 , CE (89/336/EEC EMC EN55032:2015 LVD IEC 62368-1 :2018) , RoHS , Noise 40/47dB , Air Flow M3/Hr 133/162 CFM 82/95.

14. All metal components in cabinets must be connected to one another electrically and grounding resistance must be maximum 0,1 ohm according to IEC 61010-1 / 6.5.1.3 standard. All proposed products must be tested to meet this standard and their results must be certificated by TSE.